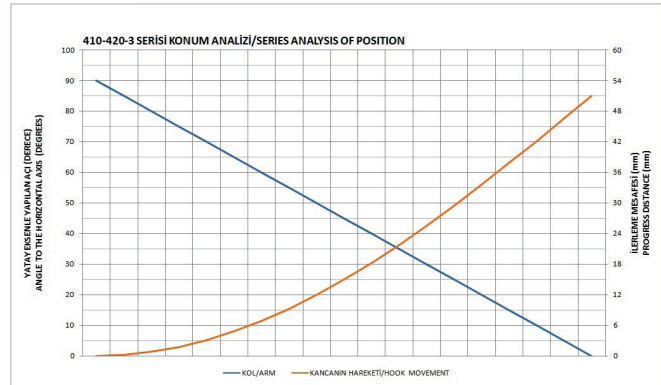


411

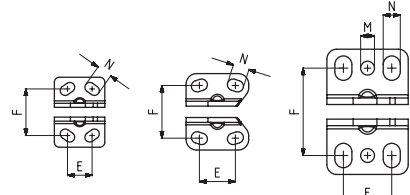
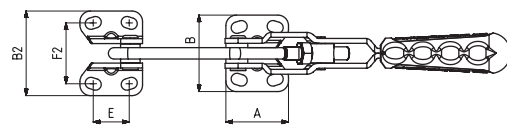
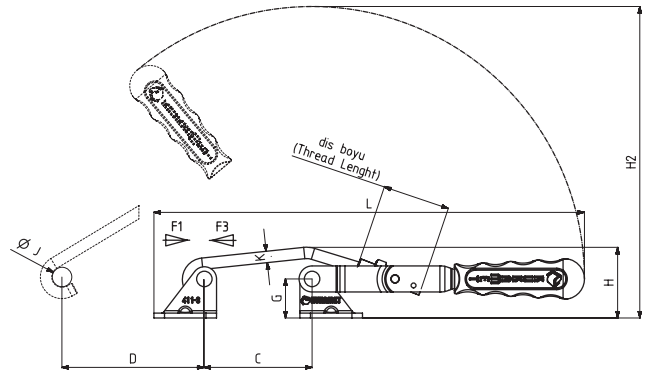


| MODEL NO | PASLANMAZ (STAINLESS) | SİYAH (BLACK) | F1 (N) | F3 (N) | STROK (DİŞ BOYU) (STROKE) (thread length) | AĞIRLIK (WEIGHT) (gr) |
|----------|-----------------------|---------------|--------|--------|---|-----------------------|
| 411-2    | S 411 - ....          | B 411 - ....  | 1500   | 1800   | 35  | 210                   |
| 411-3    | S 411 - ....          | B 411 - ....  | 2000   | 2500   | 41  | 325                   |
| 411-4    | S 411 - ....          | B 411 - ....  | 3500   | 4000   | 55  | 860                   |

F1 : BASKI KUVVETİ ( EXERTING FORCE ), F3 : TUTMA KAPASİTESİ ( HOLDING CAPACITY)  
Paslanmaz C Kancalı ürünlerin çekme kuvvetleri %30 daha azdır. ( Stainless stell latch clamp's tensile strength are %30 more less )



Ayak Tipi: Yatay Tabanlı  
Body Mounting Base: Horizontal



MODEL NO : 411-2

MODEL NO : 411-3

MODEL NO : 411-4

| MODEL NO | A    | B  | B2 | C min. | C max. | D   | E       | F           | F2          | G  | H  | H2  | J  | K   | L min. | L max. | M     | N       |
|----------|------|----|----|--------|--------|-----|---------|-------------|-------------|----|----|-----|----|-----|--------|--------|-------|---------|
| 411-2    | 31   | 43 | 47 | 45     | 60     | 50  | 12 - 18 | 26,5 - 30,5 | 30,5 - 34,5 | 26 | 38 | 155 | 9  | M6  | 200    | 215    |       | 6x9,5   |
| 411-3    | 38,5 | 47 | 52 | 60     | 75     | 80  | 19 - 25 | 31,5 - 33   | 36,5 - 38   | 24 | 42 | 190 | 12 | M8  | 255    | 270    |       | 7x10    |
| 411-4    | 50   | 77 | 84 | 75     | 100    | 130 | 30      | 49 - 58     | 56 - 65     | 40 | 61 | 253 | 16 | M10 | 335    | 360    | Ø 8,5 | 10,5x15 |